

LIGHTING CONTROLS

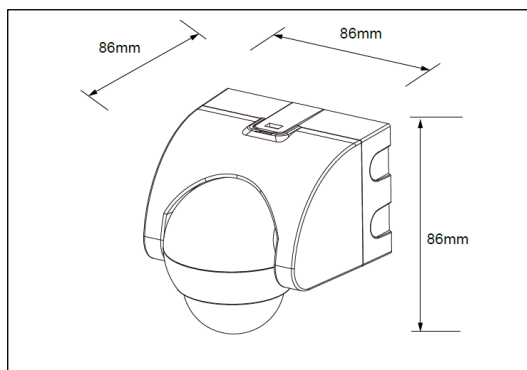
ROBUS®

Proton 360° Wall or Ceiling mount PIR, IP54, White



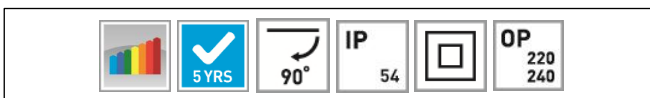
- IP54 - Suitable for indoor or outdoor use
- Directional sensing head allows
 - Wall or ceiling mounting
 - Detection area control
- Uses Infra-Red technology so only switches on heat movement
- Manual Override function for permanent on
- Auto reset after 8 hours for energy saving
- 3 wire connection so sensors can be switched in parallel
- Large terminals accept 2 x 1.5mm loop in/out conductors
- No minimum load requirement

Product Code:	RPR360IP44-01
Max LED Load (W):	150
Standby Power Consumption (W):	<0.5
Detection Angle (deg):	360
Detection Diameter @ 2.5m high (m):	10
Light Switching Level Adjustment (lx):	10-2000
Time Delay to Off:	10 (±5) Sec - 15 (±3) Min
Rated Life (hrs):	30,000
Warranty (yrs):	3
Ingress Protection (IP):	54
Impact Rating (IK):	04
Operating Temperature (°C):	-20 ≤ Ta ≤ +40
Operating Voltage (Vac):	220-240
Height (mm):	86
Width (mm):	86
Depth (mm):	94
Projection (mm):	94
Box Qty:	1
Weight (kg):	0.16

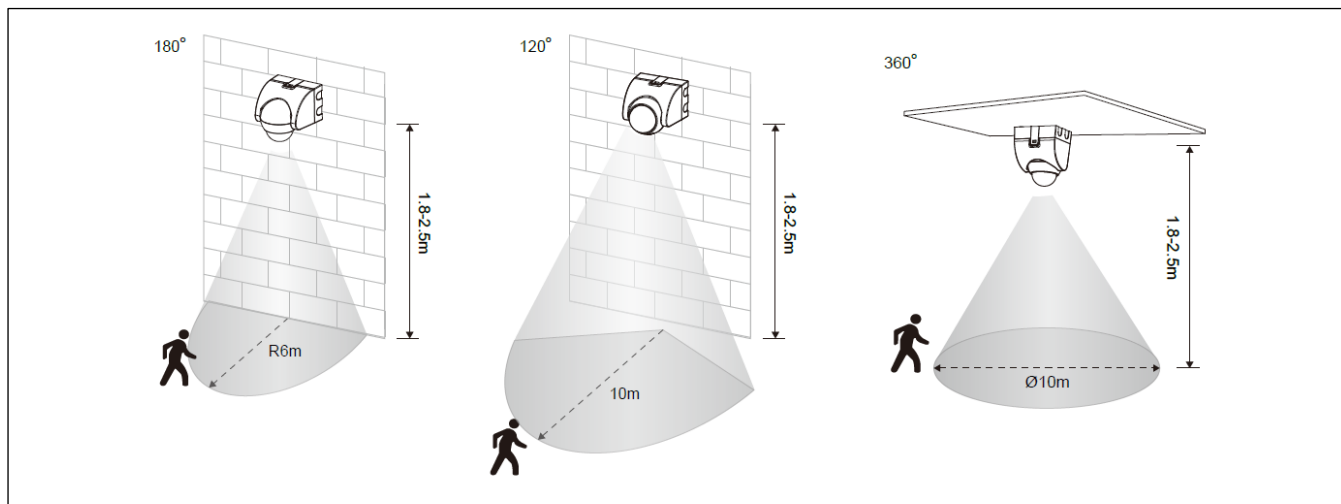


Standards & Approvals:

Complies with: EN 60669-1, EN 60669-2-1, EN 55014-1, EN 55014-2, EN6100-3-2, EN6100-3-3



Detection Area:



PLEASE NOTE: INFORMATION IN THIS DOCUMENT MAY BE SUBJECT TO CHANGE WITHOUT PRIOR NOTICE

IRE: TEL: +353 1 709 9000
 AUS: TEL: +61 7 3890 5444

WEB: WWW.ROBUS.COM
 WEB: WWW.ROBUS.COM.AU

LED GROUP EUROPE · AUSTRALIA · NEW ZEALAND · ASIA · MIDDLE EAST · AFRICA